

FORM U3143 (680)
PART NO. 543174-002

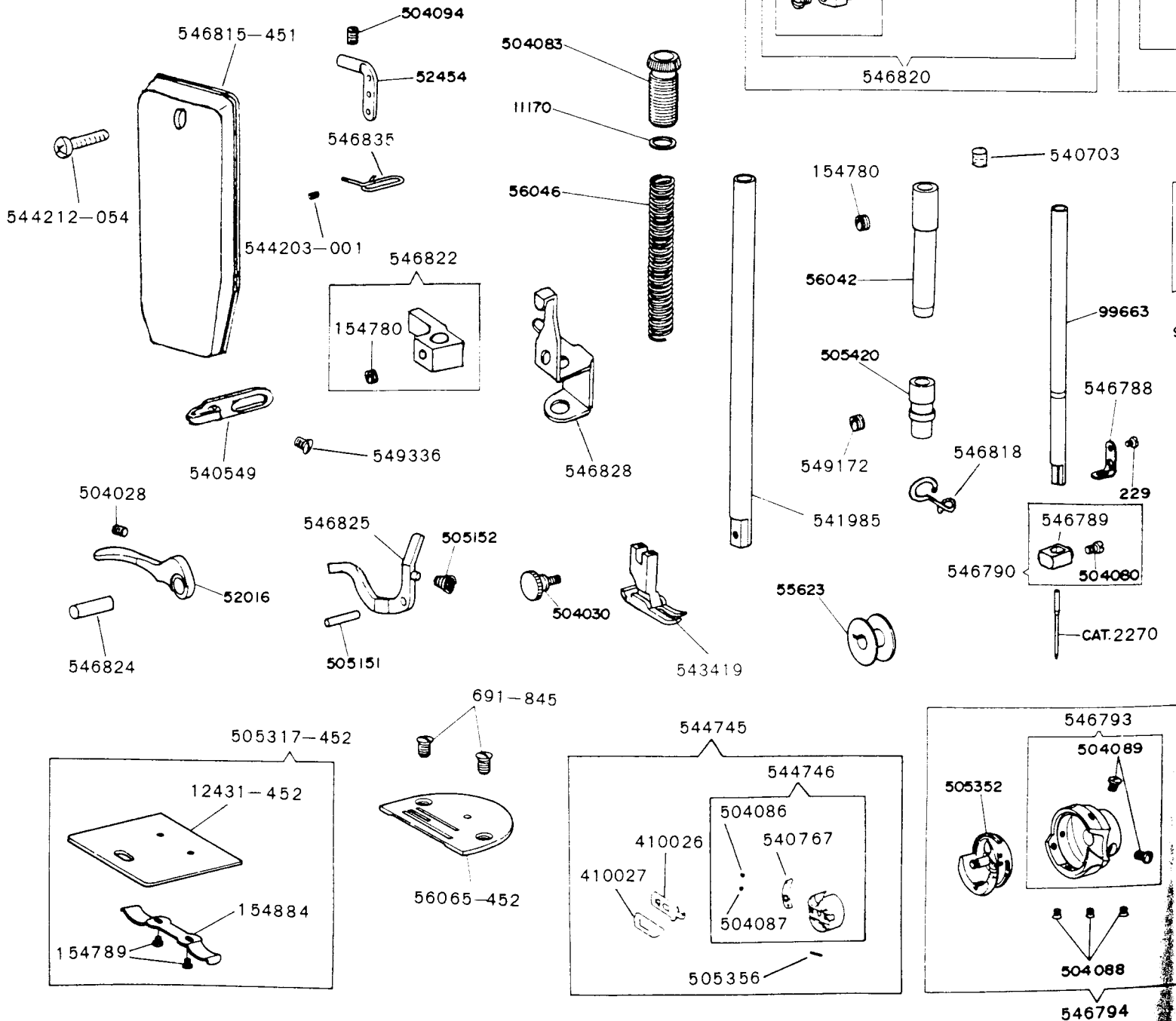
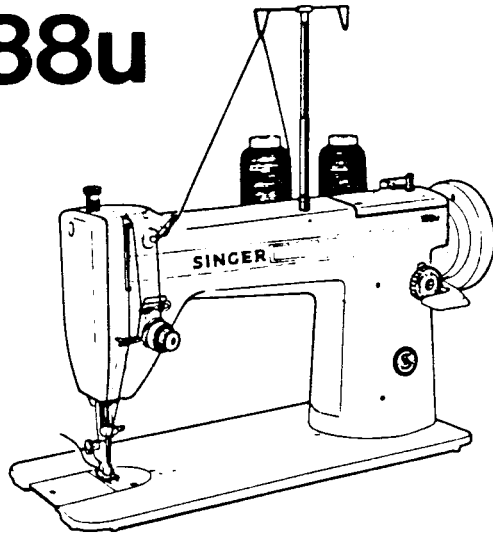
MACHINE PARTS CHART **for** **SINGER***

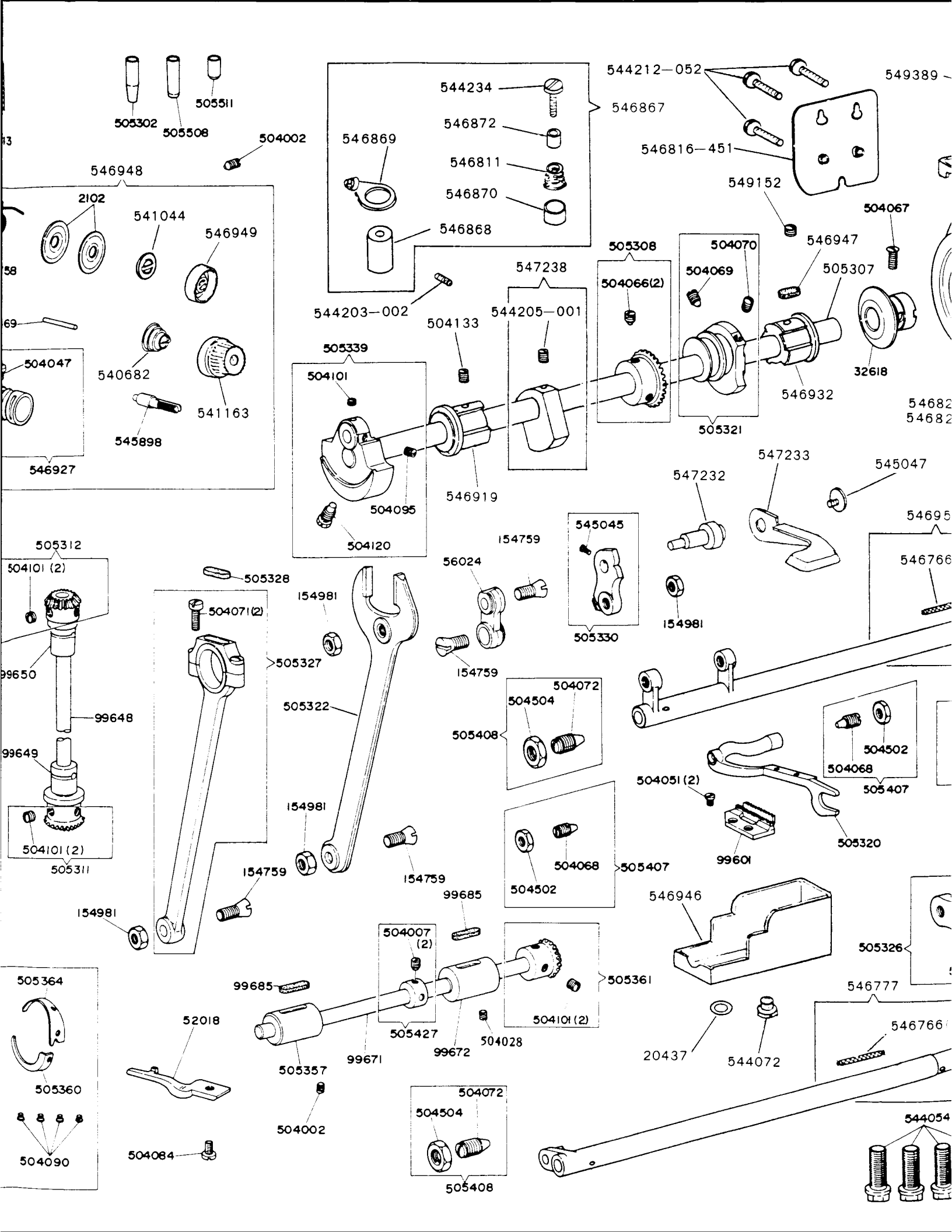
188u 31 / 33 / 35

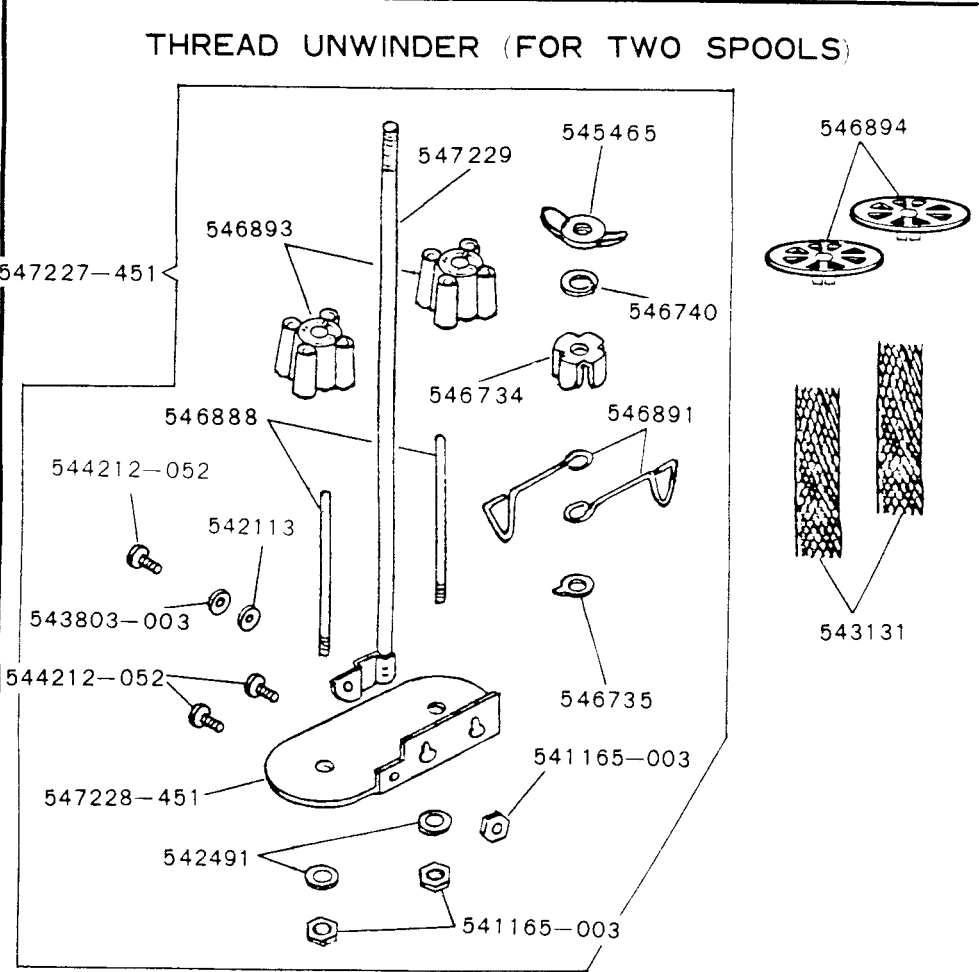
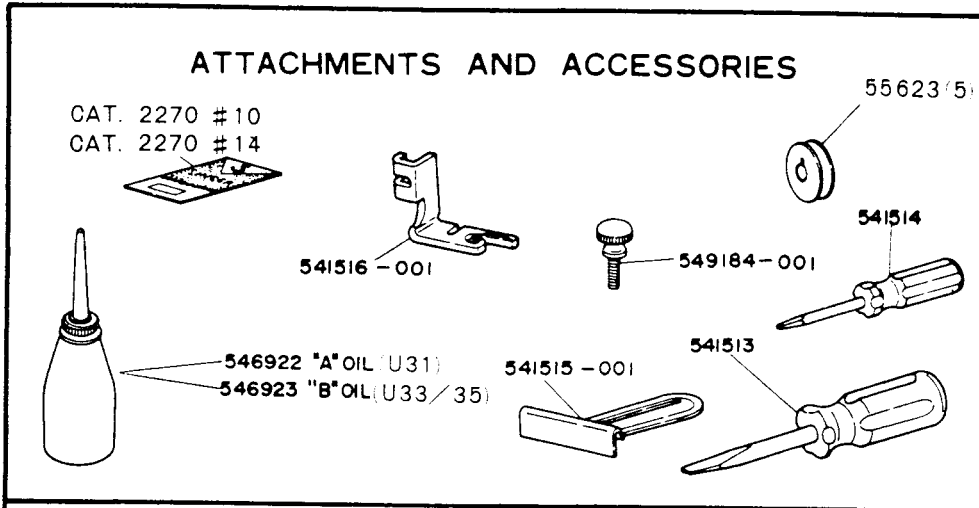
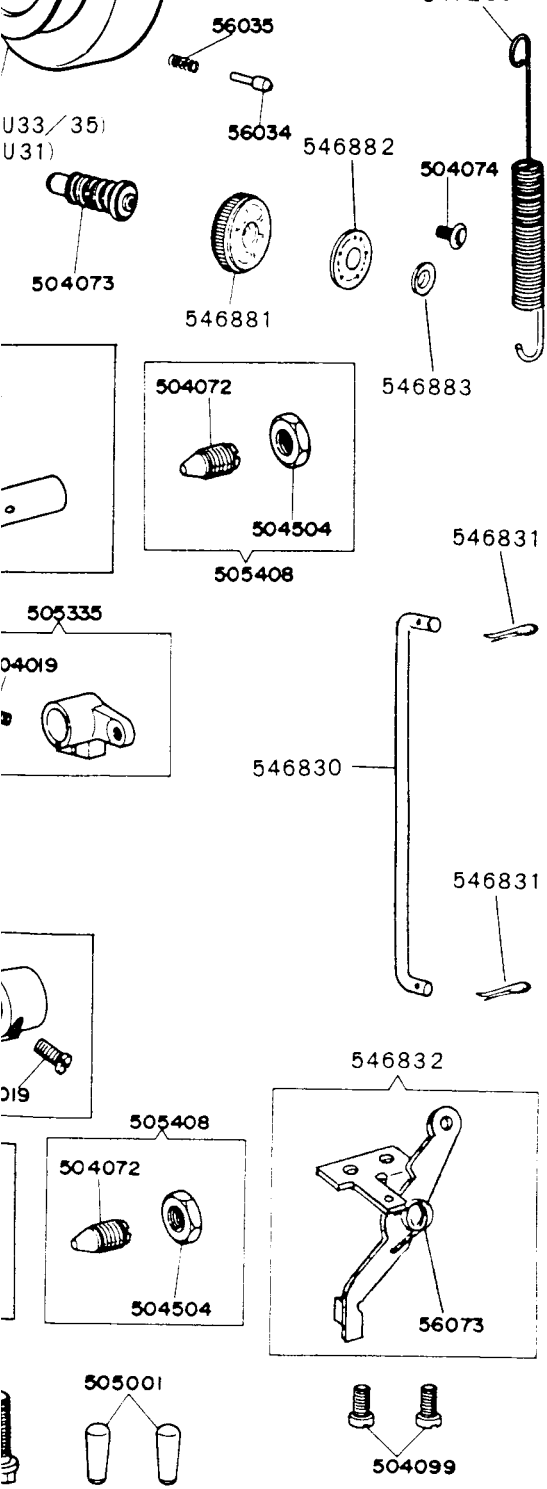
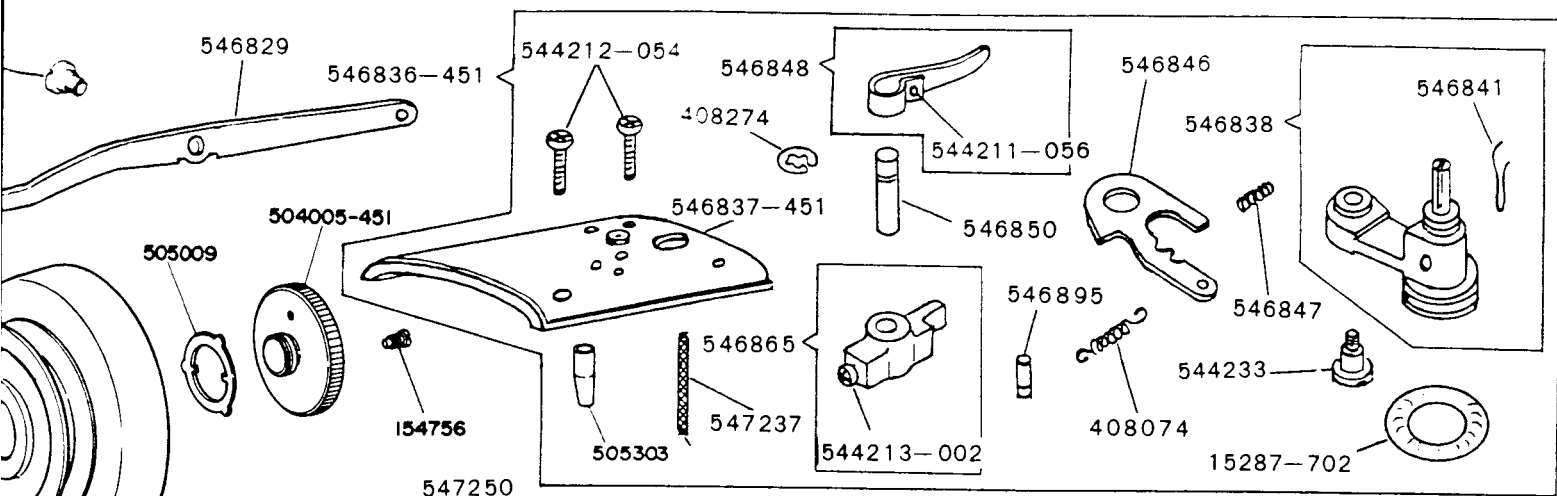
* A Trademark of THE SINGER COMPANY
Copyright © 1980 THE SINGER COMPANY
All Rights Reserved Throughout the World

SINGER*

188u







NUMERICAL LIST OF PARTS FOR MACHIN 138U31/33/35

<u>PART NO.</u>	<u>DESCRIPTION</u>	<u>PART NO.</u>	<u>DESCRIPTION</u>
229	Needle Bar Thread Guard Screw	504094	Thread Retainer Set Screw
691-845	Throat Plate Screw (2)	504095	Thread Take-up Crank Position Screw
2102	Tension Disc (2)	504099	Bell Crank Bracket Screw (2)
11170	Presser Bar Spring Washer	504101	Arm Shaft (Upright) Bevel Gear (Lower) Set Screw (2)
12431-452	Bed Slide	504101	Arm Shaft (Upright) Bevel Gear (Upper) Set Screw (2)
15287-702	Bobbin Winder Pulley Friction Ring	504101	Rotating Hook Shaft Bevel Gear Set Screw (2)
20437	Rotating Hook Shaft Bevel Gear Case Screw Washer	504101	Thread Take-up Crank Set Screw
32618	Clamp Stop Motion Flanged Bushing	504120	Needle Bar Crank Position Screw
32758	Thread Take-up Spring	504133	Arm Shaft (Horizontal) Flanged Bushing (Front) Set Screw
52016	Presser Bar Lifter	504502	Feed Bar Screw Center Nut (2)
52018	Rotating Hook Bobbin Case Holder Position Bracket	504504	Feed Lifting Rock Shaft Screw Center Nut (2)
52022	Thread Take-up Lever Complete	504504	Feed Rock Shaft Screw Center Nut (2)
52024	Thread Take-up Lever Link	505001	Arm Dowel Pin (2)
52454	Thread Retainer	505009	Clamp Stop Motion Clamp Washer
55623	Rotating Hook Bobbin	505151	Tension Releasing Lever Hinge Pin
56024	Feed Connecting Link	505152	Tension Releasing Lever Spring
56034	Feed Regulating Stud Lock Pin	505302	Arm Oil Tube
56035	Feed Regulating Stud Lock Pin Spring	505303	Arm Top Cover Oil Tube
56042	Needle Bar Bushing (upper)	505307	Arm Shaft (Horizontal)
56046	Presser Bar Spring	505308	Arm Shaft (Horizontal) Bevel Gear Complete
56065-452	Throat Plate (2.00 Needle Hole)	505311	Arm Shaft (Upright) Bevel Gear (Lower) Complete
56073	Bell Crank Spring	505312	Arm Shaft (Upright) Bevel Gear (Upper) Complete
99601	Feed Dog	505317-52	Bed Slide Complete
99643	Arm Shaft (upright)	505320	Feed Bar
99644	Arm Shaft (upright) Flanged Bushing (lower)	505321	Feed and Feed Lifting Eccentric Complete
99650	Arm Shaft (upright) Flanged Bushing (upper)	505322	Feed Forked Connection
99663	Needle Bar (hollow)	505326	Feed Lifting Rock Shaft Crank Complete
99671	Rotating Hook Shaft	505327	Feed Lifting Rock Shaft Crank Connecting Rod Complete
99672	Rotating Hook Shaft Bushing (back)	505328	Feed Lifting Rock Shaft Crank Connecting Rod Cap Oil Pad (Felt) (2)
99685	Rotating Hook Shaft Bushing (back and front)	505330	Feed Regulator Complete
154756	Clamp Stop Motion Clamp Stop Screw	505335	Feed Rock Shaft Crank Complete
154759	Feed Connecting Link Hinge Screw (2)	505338	Needle Bar Connecting Stud Complete
154759	Feed Forked Connection Hinge Screw	505339	Needle Bar Crank Complete
154759	Feed Lifting Rock Shaft Crank Connecting Rod Hinge Screw	505352	Rotating Hook Bobbin Case Holder
154750	Needle Bar Bushing (Upper) Set Screw	505356	Rotating Hook Bobbin Case Latch Spring
154780	Presser Bar Guide Bracket Set Screw	505357	Rotating Hook Shaft Bushing (Front)
154789	Bed Slide Spring Screw (2)	505360	Rotating Hook Section
154834	Bed Slide Spring	505361	Rotating Hook Shaft Bevel Gear Complete
154931	Feed Connecting Link Hinge Screw Nut (2)	505364	Rotating Hook Thread Guard
154931	Feed Forked Connection Hinge Screw Nut	505369	Tension Releasing Pin
154931	Feed Lifting Rock Shaft Crank Connecting Rod Hinge Screw Nut	505372	Thread Take-up Lever Link Hinge Pin
166035	Thread Take-up Lever Complete	505407	Feed Bar Screw Center Complete (2)
408074	Bobbin Winder Bracket Regulating Plate Spring	505408	Feed Lifting Rock Shaft Screw Center Complete (2)
408274	Bobbin Winder Latch Stud Ring	505408	Feed Rock Shaft Screw Center Complete (2)
410026	Rotating Hook Bobbin Case Latch	505420	Needle Bar Bushing (Lower)
410027	Rotating Hook Bobbin Case Latch Lever	505427	Rotating Hook Shaft Retainer Collar Complete
504002	Rotating Hook Shaft Bushing (Front) Set Screw	505508	Arm Oil Tube for Thread Take-up Lever Link
504002	Thread Take-up Lever Link Hinge Pin Set Screw	505511	Arm Oil Tube for Thread Take-up Lever
504002	Thread Take-up Spring Regulator Set Screw	505513	Arm Oil Tube Oil Wick (3)
504005-451	Clamp Stop Motion Clamp Screw	540549	Arm Thread Guide (Right)
504007	Rotating Hook Shaft Retainer Collar Screw (2)	540677	Thread Take-up Crank
504019	Feed Lifting Rock Shaft Crank Clamping Screw	540682	Tension Spring
504019	Feed Rock Shaft Crank Clamping Screw	540703	Needle Bar Bushing (Upper) Felt
504023	Presser Bar Lifter Pin Set Screw	540767	Rotating Hook Bobbin Case Tension Spring
504023	Rotating Hook Shaft Bushing (Back) Set Screw	541044	Tension Spring Cap Washer
504030	Presser Foot Thumb Screw	541163	Tension Regulating Thumb Nut
504047	Tension Stud Screw	541985	Presser Bar (Hollow)
504051	Feed Dog Screw (2)	543419	Presser Foot (Spring Hinged) Complete
504057	Needle Bar Connecting Link Cap Screw	544054	Arm Screw (4)
504066	Arm Shaft (Horizontal) Bevel Gear Set Screw (2)	544072	Rotating Hook Shaft Bevel Gear Case Screw
504067	Clamp Stop Motion Flanged Bushing Set Screw	544203-001	Arm Thread Guide (Left) Screw
504068	Feed Bar Screw Center (2)	544203-002	Bobbin Winder Tension Set Screw
504069	Feed and Feed Lifting Eccentric Position Screw	544203-001	Arm Shaft Counterbalance Position Screw
504070	Feed and Feed Lifting Eccentric Set Screw	544211-056	Bobbin Winder Latch Screw
504071	Feed Lifting Rock Shaft Crank Connecting Rod Cap Screw (2)	544212-052	Arm Side Cover Screw (3)
504072	Feed Lifting Rock Shaft Screw Center (2)	544212-054	Arm Top Cover Screw (2)
504073	Feed Regulating Stud	544212-054	Face Plate Screw
504074	Feed Regulating Stud Head Cap Screw	544213-002	Bobbin Winder Regulator Set Screw
504078	Needle Bar Connecting Stud Clamping Screw	544233	Bobbin Winder Bracket Hinge Screw
504080	Needle Clamp Screw	544234	Bobbin Winder Tension Disc Screw
504083	Presser Regulating Thumb Screw	544745	Rotating Hook Bobbin Case Complete
504084	Rotating Hook Bobbin Case Holder Position Bracket Screw	544746	Rotating Hook Bobbin Case with Tension Spring Complete
504086	Rotating Hook Bobbin Case Tension Regulating Screw	545045	Feed Regulator Hinge Stud Set Screw
504087	Rotating Hook Bobbin Case Tension Spring Screw	545047	Feed Reverse Lever Cap Screw
504088	Rotating Hook Section Screw (3)	545896	Tension Stud
504089	Rotating Hook Set Screw (2)	546766	Feed Lifting Rock Shaft Oil Wick (2)
504090	Rotating Hook Thread Guard Screw (4)		

NUMERICAL LIST OF PARTS FOR MACHINE 188U31/33/35

<u>PART NO.</u>	<u>DESCRIPTION</u>	<u>PART NO.</u>	<u>DESCRIPTION</u>
546766	Feed Rock Shaft Oil Wick (2)	546740	Thread Unwinder Thread Guide Lock Nut Spring Washer
546777	Feed Lifting Rock Shaft Complete	546888	Thread Unwinder Spool Pin (2)
546788	Needle Bar Thread Guard	546891	Thread Unwinder Thread Guide (2)
546789	Needle Clamp	546893	Thread Unwinder Spool Holder (2)
546790	Needle Clamp Complete	546894	Thread Unwinder Spool Cap (2)
546793	Rotating Hook Complete	547227-451	Thread Unwinder (for Two Spools) Complete
546794	Rotating Hook and Rotating Hook Bobbin Case Holder Complete	547228-451	Thread Unwinder Spool Mounting Bracket
546815-451	Face Plate	547229	Thread Unwinder Thread Guide Holder and Bracket Complete
546816-451	Arm Side Cover		
546818	Needle Bar Bushing (Lower) Thread Guard	<u>ACCESSORIES AND ATTACHMENTS</u>	
546819	Thread Take-up Complete	55623	Rotating Hook Bobbin (5)
546820	Needle Bar Connecting Link and Stud Complete	541513	Screw Driver (Large)
546821	Needle Bar Connecting Link	541514	Screw Driver (Small)
546822	Presser Bar Guide Bracket Complete	541515-001	Cloth Guide
546824	Presser Bar Lifter Pin	541516-001	Hemmer Foot (1/8" hem)
546825	Tension Releasing Lever	546922	Oiler with Oil Spout (130cc Filled with Singer Type "A" Oil) (for Treadle Operation-188U31)
546826	Handwheel (for Motor Drive) (188U32/35)	546923	Oiler with Oil Spout (130cc Filled with Singer Type "B" Oil) (for Motor Drive - 188U33/35)
546827	Handwheel (for Treadle Operation) (188U31)	549184-001	Cloth Guide Thumb Screw
546828	Presser Bar Lifting and Releasing Lever Bracket	CAT.2270	Needle (16 x 257 #10) (2)
546829	Lifting Lever	CAT.2270	Needle (16 x 257 #14) (2)
546830	Lifting Lever Connecting Rod		
546831	Lifting Lever Connecting Rod Pin (2)		
546832	Bell Crank Complete		
546835	Arm Thread Guide (Left)		
546836-451	Arm Top Cover Assembly		
546837-451	Arm Top Cover		
546838	Bobbin Winder Bracket Complete		
546841	Bobbin Winder Spindle Spring		
546846	Bobbin Winder Bracket Regulating Plate		
546847	Bobbin Winder Bracket Spring		
546848	Bobbin Winder Latch Complete		
546850	Bobbin Winder Latch Stud		
546865	Bobbin Winder Regulator Complete		
546867	Bobbin Winder Tension Complete		
546868	Bobbin Winder Tension Bracket		
546869	Bobbin Winder Tension Thread Guide		
546870	Bobbin Winder Tension Disc		
546871	Bobbin Winder Tension Disc Spring		
546872	Bobbin Winder Tension Disc Collar		
546881	Feed Regulating Stud Head		
546882	Feed Regulating Stud Head Plate		
546883	Feed Regulating Stud Head Plate Retainer		
546895	Bobbin Winder Bracket Regulating Plate Spring Stud		
546919	Arm Shaft (Horizontal) Flanged Bushing (Front)		
546927	Thread Take-up Spring Regulator Complete		
546932	Arm Shaft (Horizontal) Flanged Bushing (Back)		
546946	Rotating Hook Shaft Bevel Gear Case		
546947	Arm Shaft (Horizontal) Flanged Bushing (Back) Oil Pad (Felt)		
546948	Tension Complete		
546949	Tension Spring Cap		
546950	Feed Rock Shaft Complete		
547232	Feed Regulator Hinge Stud		
547233	Feed Reverse Lever		
547237	Arm Top Cover Oil Tube Packing (Cotton)		
547238	Arm Shaft Counterbalance Complete		
547250	Feed Reverse Lever Return Spring		
549152	Arm Shaft (Horizontal) Flanged Bushing (Back) Set Screw		
549172	Needle Bar Bushing (Lower) Set Screw		
549336	Arm Thread Guide (Right) Screw		
549389	Lifting Lever Hinge Screw		
CAT.2270	Needle (16 x 257 #14)		

THREAD UNWINDER (FOR TWO SPOOLS)

541165-003	Thread Unwinder Spool Pin Nut (2)
541165-003	Thread Unwinder Thread Guide Holder Bracket Hinge Screw Nut
542113	Thread Unwinder Thread Guide Holder Bracket Hinge Screw Friction Washer
542491	Thread Unwinder Spool Pin Spring Washer (2)
543131	Thread Unwinder Spool Net (2)
543803-003	Thread Unwinder Thread Guide Holder Bracket Hinge Screw Washer
544212-052	Thread Unwinder Spool Mounting Bracket Screw (2)
544212-052	Thread Unwinder Thread Guide Holder Bracket Hinge Screw
545465	Thread Unwinder Thread Guide Lock Nut
546734	Thread Unwinder Thread Guide Position Cup
546735	Thread Unwinder Thread Guide Rod Washer